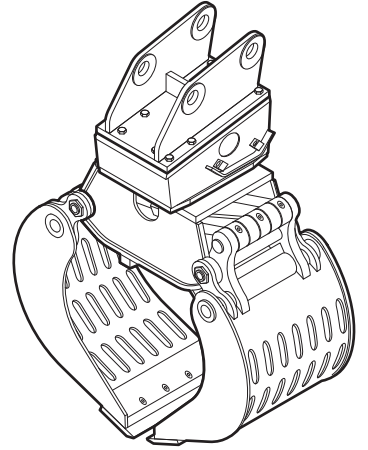


Spare parts list Multi grapple

	Valid from serial number
MG 200	100



Contents

General information	5
Spare parts list	6
Multi grapple	6
Hydraulic cylinder	8
Rotary transmission	10
Accessories	12
Hydraulic hoses	12
Optional equipment	12
Kits	13
Label kit	13
Blade kit	13
Seal kit (Hydraulic cylinder)	13
Seal kit (Rotary transmission)	13
Dimensions	14

General information

This spare parts list applies to the following:

Part number	Description
3363 1036 51	Multi grapple MG 200

Use only authorized parts. Any damage or malfunction caused by the use of unauthorized parts is not covered by Warranty or Product Liability. Any unauthorized use or copying of the contents or any part thereof is prohibited. This applies in particular to trademarks, model denominations, part numbers, and drawings.

Instructions for use

This spare parts list contains no safety regulations and is merely intended to assist in the ordering of spare parts.

For information about operating, servicing, or repairing, the relevant Safety and operating instructions must be consulted at all costs.

Please observe the safety instructions listed in the relevant Safety and operating instructions!

Instructions of ordering

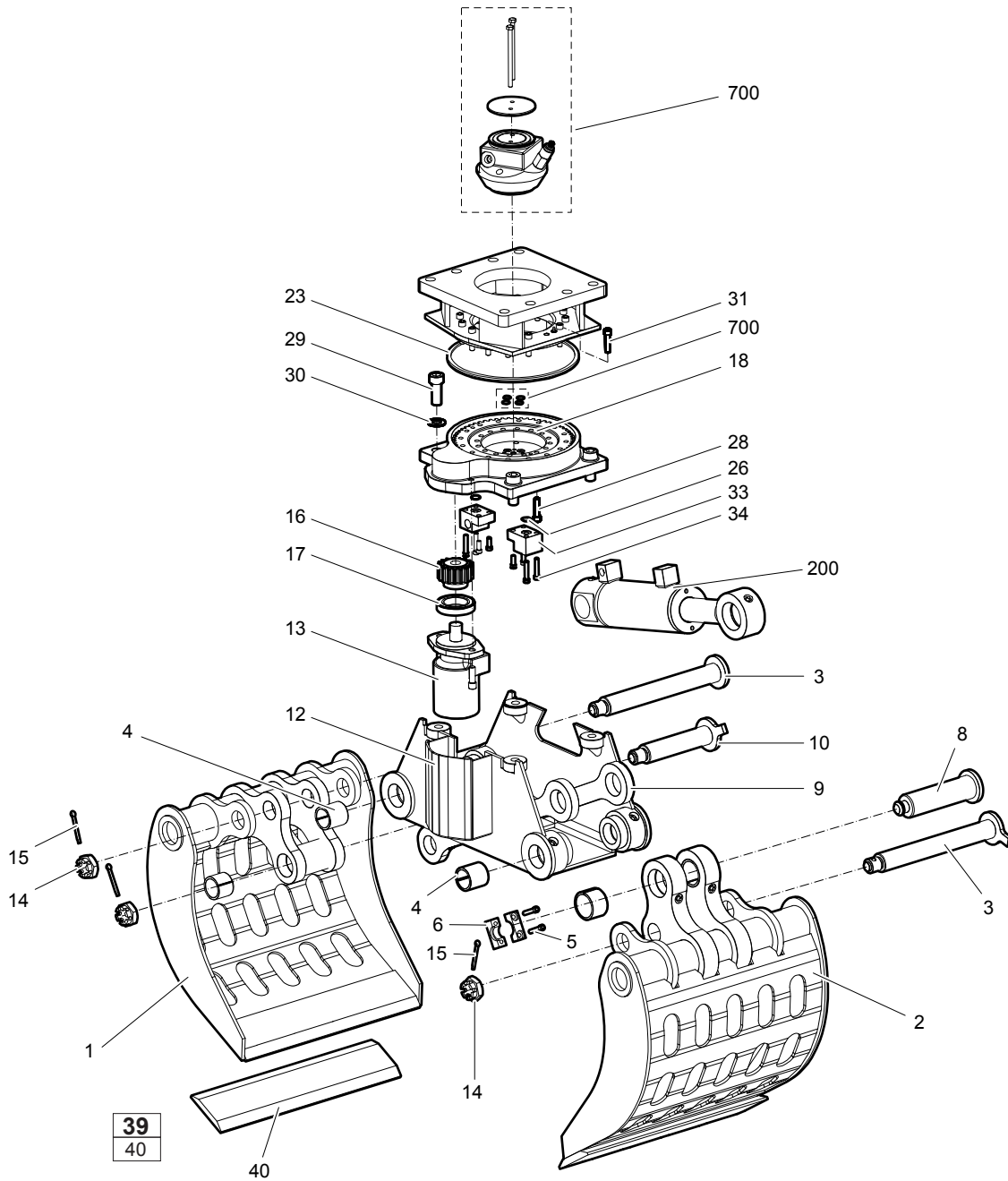
It is essential to indicate the serial number of the hydraulic attachment when ordering spare parts!

Determine the quantity of individual parts which are required and need to be ordered. The order must indicate the following details:

- full identification code of the hydraulic attachment
- required quantity
- part number
- description

Spare parts list

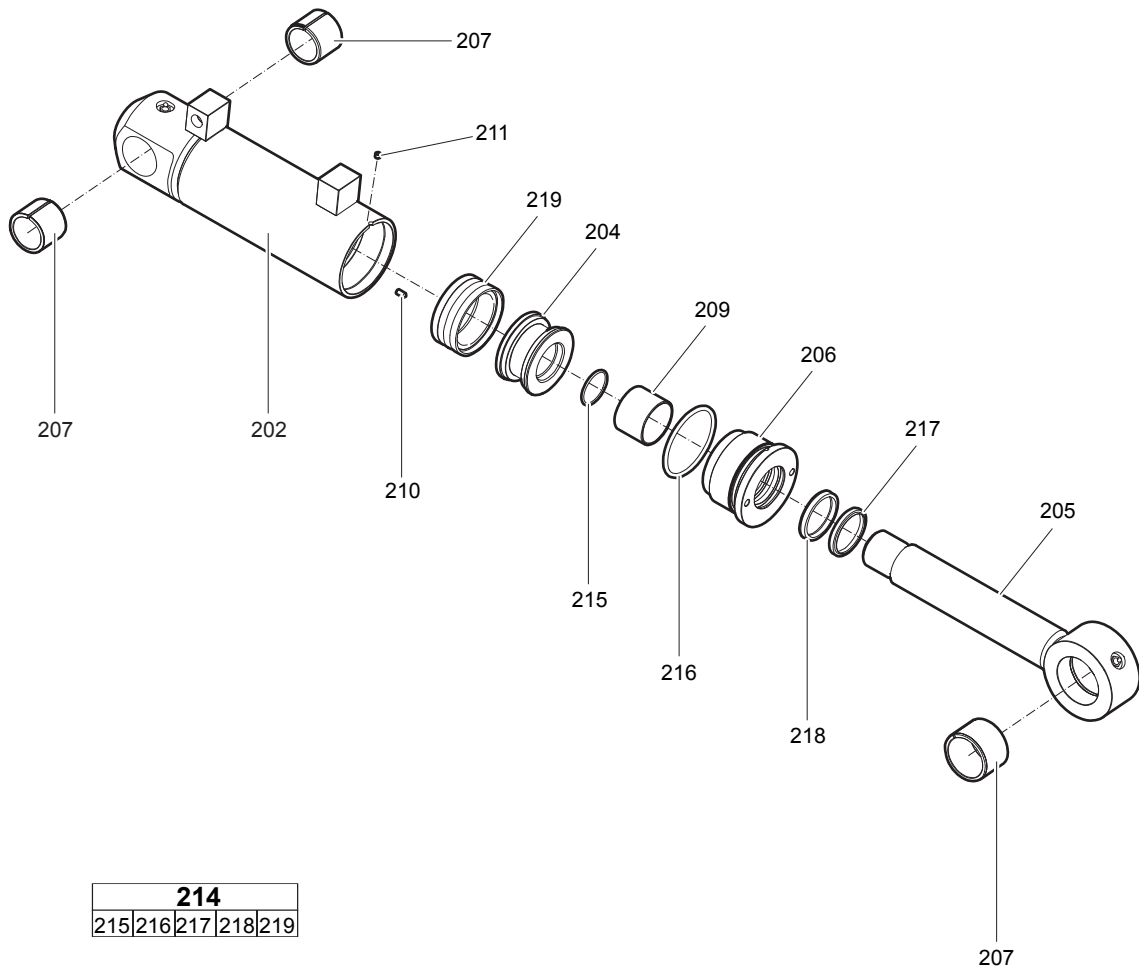
Multi grapple



No.	Description	Remark	Quantity	Part number
1	Grapple leaf, left		1	3363 1060 29
2	Grapple leaf, right		1	3363 1060 30
3	Bolt		2	3363 1060 31
4	Bearing bush		4	3363 1060 32
5	Allen screw		2	3363 1060 33
6	Clamp		2	3363 1060 34
8	Bolt		1	3363 1060 35
9	Linkage		2	3363 1060 36
10	Bolt		1	3363 1060 37
12	Cover		1	3363 1060 38
13	Hydraulic motor		1	3363 1060 39
14	Castle nut		3	3363 1060 40
15	Splint pin		3	3363 1060 41
16	Pinion		1	3363 1060 42
17	Bearing		1	3363 0985 40
18	Live ring		1	3363 1060 43
23	Seal		1	3363 1060 44
26	O-ring		2	3363 1060 45
28	Allen screw		32	3363 1060 46
29	Allen screw		4	3363 1060 47
30	Washer		4	3363 1060 48
31	Allen screw		12	3363 1060 49
33	Connection block		2	3363 1060 50
34	Allen screw		8	3363 1060 51
39(40)	Blade kit		1	3363 1060 52
40	Blade	You must use a qualified professional welding company to weld the blades onto the grapple leafs.	2	-
200	Hydraulic cylinder	see separate chapter	1	3363 1060 64
700	Rotary transmission	see separate chapter	1	3363 1060 85

Hydraulic cylinder

200					
202	204	205	206	207	209
210	211	214			

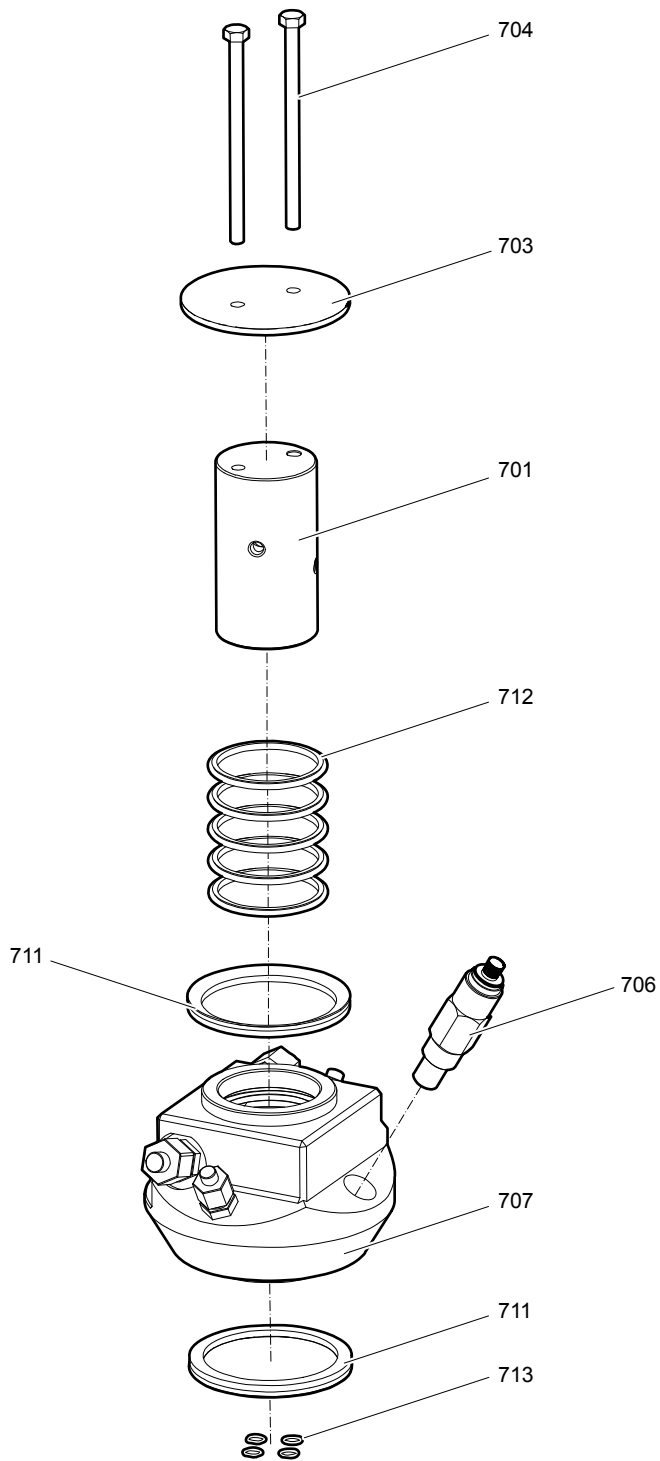


214				
215	216	217	218	219

No.	Description	Remark	Quantity	Part number
200(202-211,214)	Hydraulic cylinder		1	3363 1060 64
202	Cylinder body		1	3363 1060 65
204	Piston		1	3363 1060 68
205	Piston rod		1	3363 1060 66
206	Cover		1	3363 1060 67
207	Bearing bush		3	3363 1060 69
209	Guide bush		1	3363 1060 70
210	Pin		1	3363 1060 75
211	Pin		1	3363 1060 76
214(215-219)	Seal kit		1	3363 1062 41
215	Seal		1	-
216	O-ring		1	-
217	Wiper		1	-
218	Seal		1	-
219	Piston packing		1	-

Rotary transmission

700				
701	703	704	706	707



710		
711	712	713

No.	Description	Remark	Quantity	Part number
700(701-707,710)	Rotary transmission		1	3363 1060 85
701	Rotor		1	3363 1060 78
703	Cover		1	3363 1060 80
704	Hexagon head screw		2	3363 1060 84
706	Pressure valve		1	3363 1060 83
707	Stator		1	3363 1060 79
710(711-713)	Seal kit		1	3363 1062 42
711	V-ring		2	-
712	Seal		5	-
713	O-ring		4	-

Accessories

Hydraulic hoses

Open - Close

Description	Remark	Quantity	Part number
Hydraulic Hose	I.D. 10 both ends M 20x1.5, conical seal 24° length 2000 mm (78.74 in.)	2	3363 0945 40

Rotation

Description	Remark	Quantity	Part number
Hydraulic Hose	I.D. 8 both ends M 16x1.5, conical seal 24° length 2000 mm (78.74 in.)	2	3363 0945 41

Optional equipment

Description	Remark	Quantity	Part number
Cutter grease cartridge	12 x 400 g (0.88 lbs)	1	3363 0949 14
Grease gun		1	0909 1071 00
Adapter plate matching the carrier	Consult the Atlas Copco Customer Center/Dealer in your area.	1	-
Base plate with through borings		1	3315 3043 00
Bolt kit		1	3315 2964 90
Open-end spanner	24/27 mm for bolt kit	1	3360 4306 55

Kits

Label kit

No.	Description	Remark	Quantity	Part number
	Label kit		1	3363 1062 49

Blade kit

No.	Description	Remark	Quantity	Part number
39	Blade kit		1	3363 1060 82
40	Blade	You must use a qualified professional welding company to weld the blades onto the grapple leafs.	2	-

Seal kit (Hydraulic cylinder)

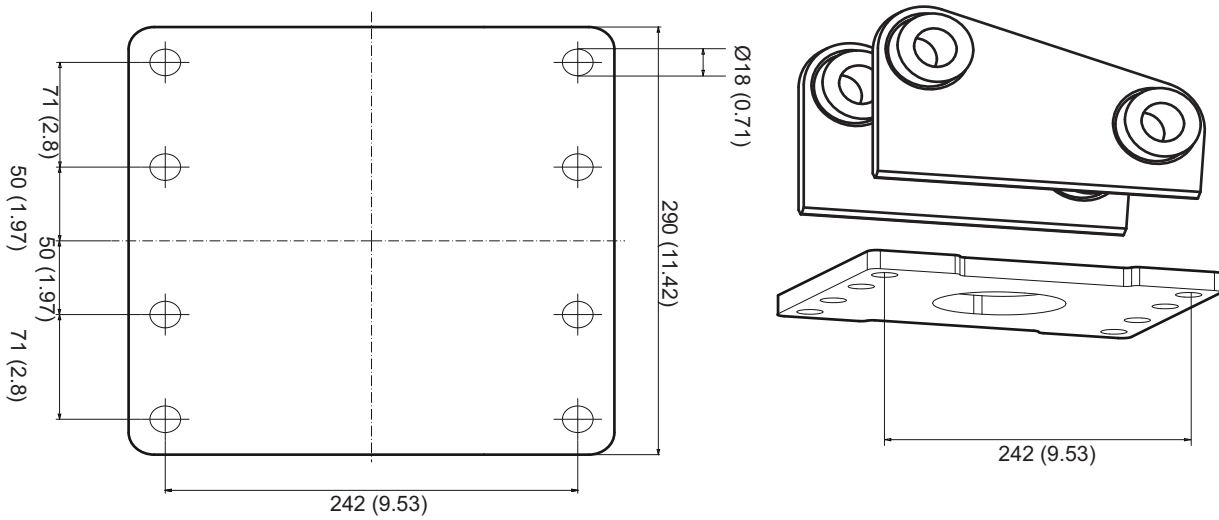
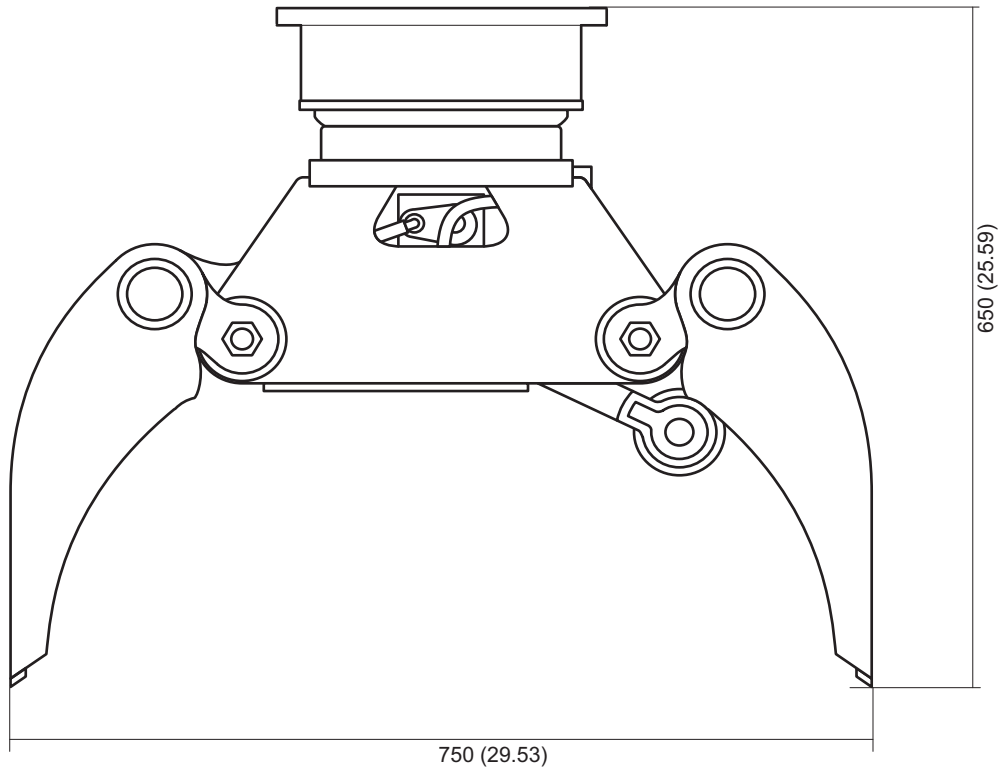
No.	Description	Remark	Quantity	Part number
214	Seal kit (Hydraulic cylinder)		1	3363 1062 41
215	Seal		1	-
216	O-ring		1	-
217	Wiper		1	-
218	Seal		1	-
219	Piston packing		1	-

Seal kit (Rotary transmission)

No.	Description	Remark	Quantity	Part number
710	Seal kit (Rotary transmission)		1	3363 1062 42
711	V-ring		2	-
712	Seal		5	-
713	O-ring		4	-

Dimensions

mm (inch)



Any unauthorized use or copying of the contents or any part thereof is prohibited.
This applies in particular to trademarks, model denominations, part numbers, and
drawings.

© 2010 Atlas Copco Construction Tools GmbH | No. 3390 7356 01 | 2010-12-20

Atlas Copco

www.atlascopco.com